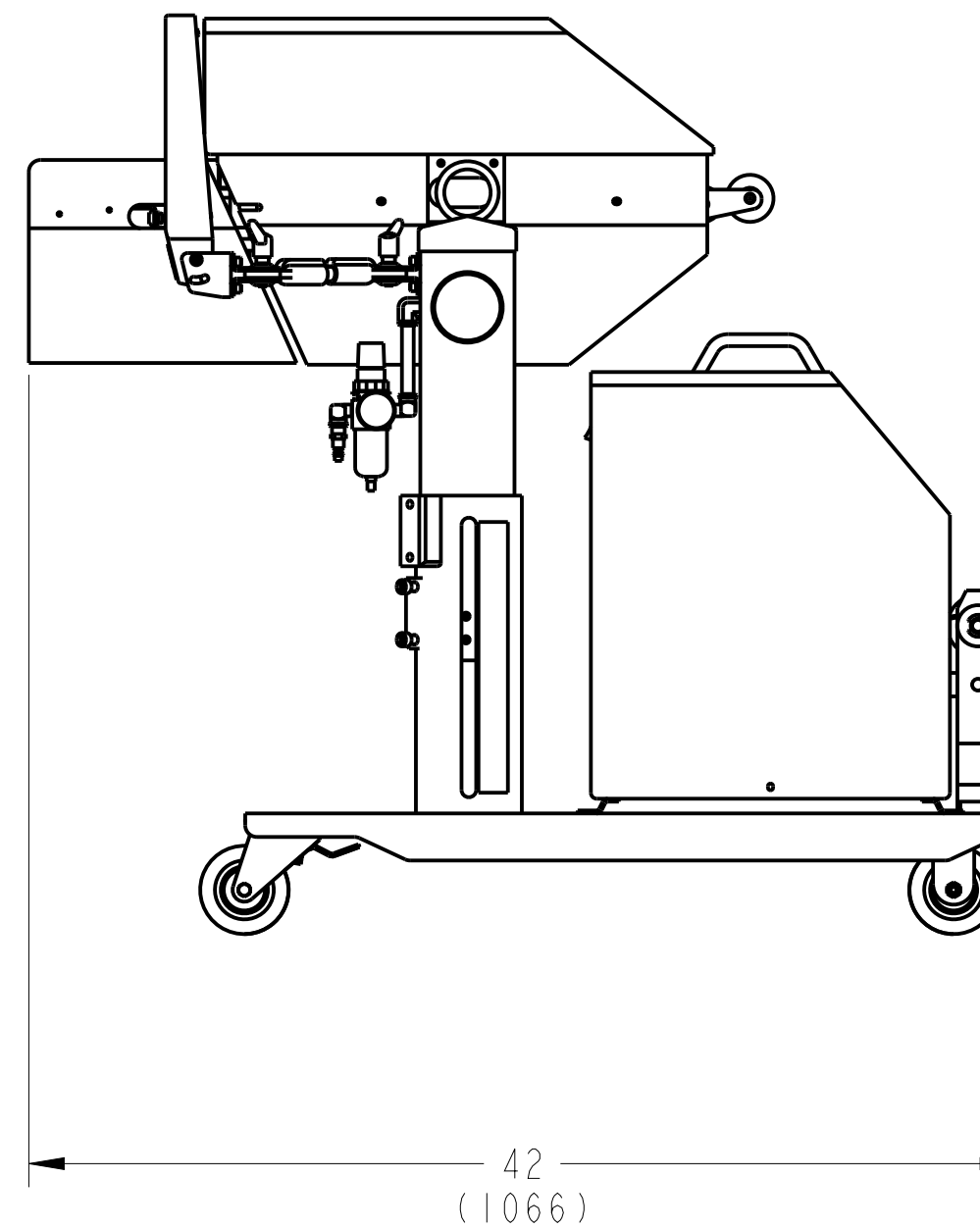
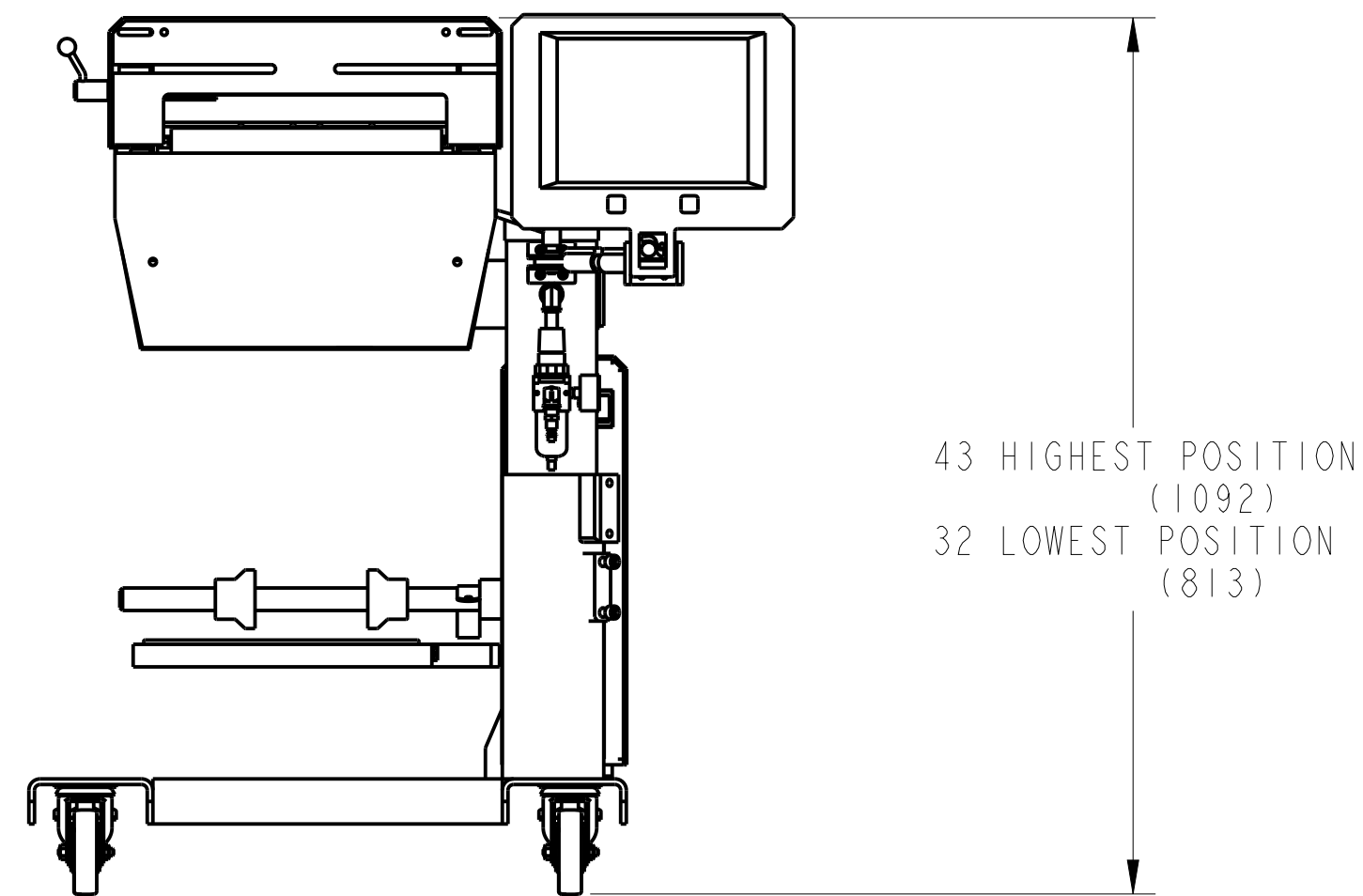
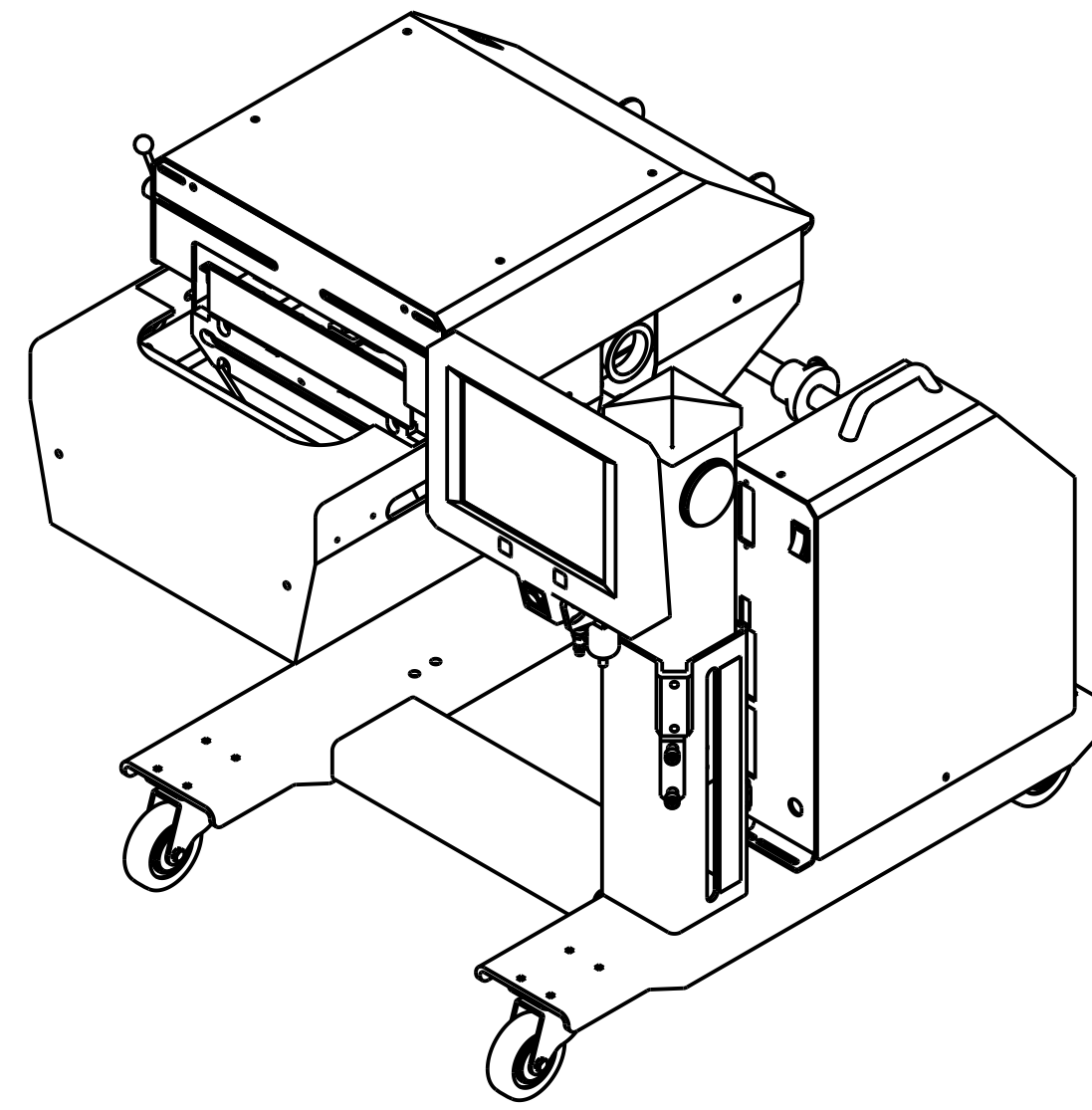
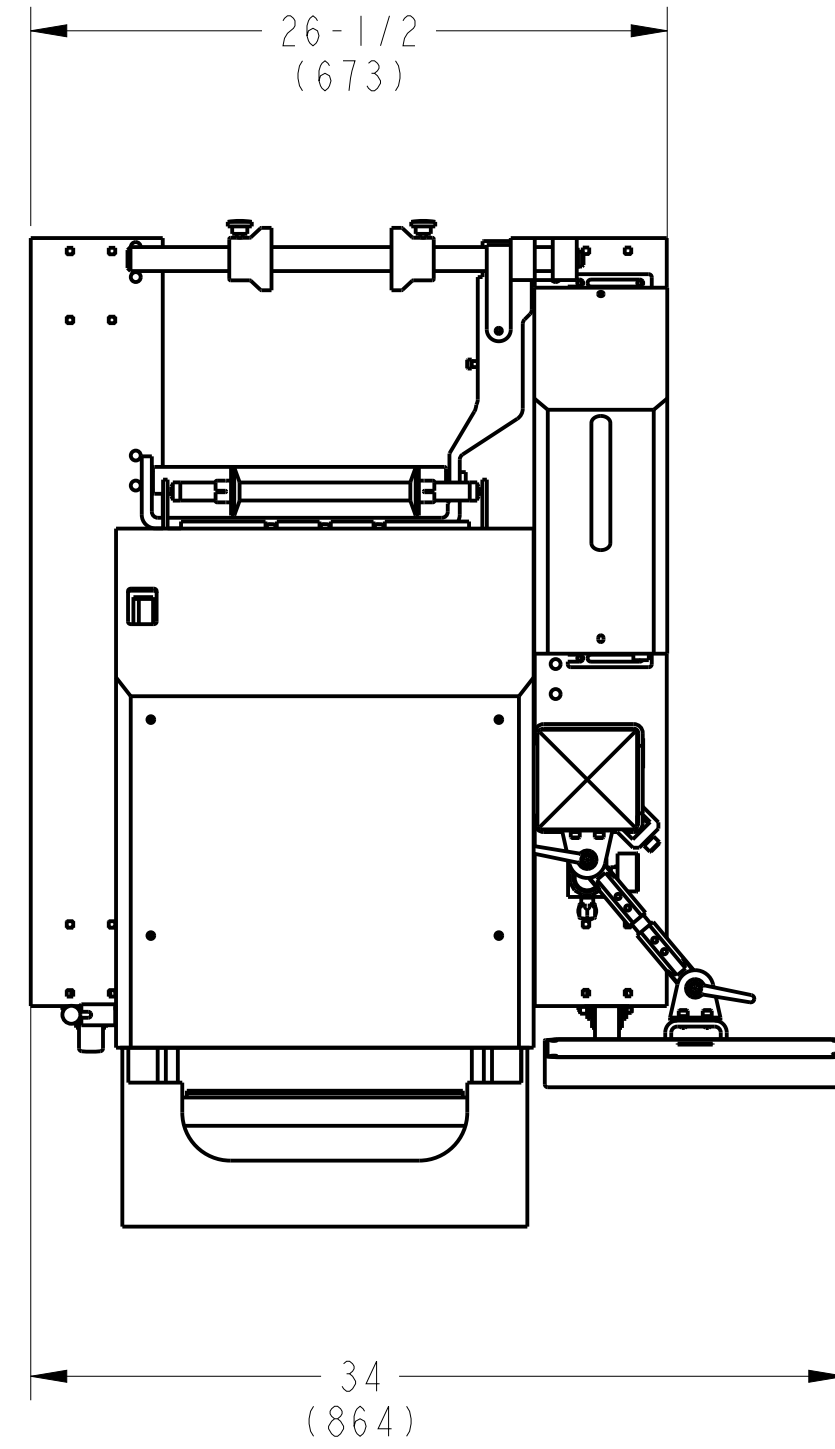


TECHNICAL SPECIFICATIONS - BAGGER:

- WEIGHT: 270 lbs [123kg]
- ELECTRICAL: 110/230 VAC; 50/60 Hz; 5.0/2.7 AMPS
- AIR: 5 CFM@80 PSI [142 litre/min] CLEAN DRY AIR
- PRODUCT PASS THROUGH: 3.4 IN [15,2 cm]
- BAG THICKNESS: 1.0 to 5.0 mil
- BAG SIZES W 2 to 11 in L 3 to 22in.



Fabricated & Documented
to be RoHS Compliant

| | |
|--|------------------------|
| FINISH | NONE |
| MATERIAL | ----- |
| <small>MACHINE SURFACES TO BE NO GREATER THAN 125 13,21 ✓ UNLESS OTHERWISE NOTED PART MUST BE FREE OF BURRS AND SHARP EDGES</small> | |
| TOLERANCE | INCHES mm |
| 1 PLACE DIMS | ±.01 ±0,25 |
| 2 PLACE DIMS | ±.02 ±0,51 |
| 3 PLACE DIMS | ±.005 ±0,10 |
| ANGLES | ± 1/2° |
| <small>NOTICE: THIS DOCUMENT CONTAINS PROPRIETARY INFORMATION AND IT SHALL NOT BE USED OR REPRODUCED OR ITS CONTENT DISCLOSED, IN WHOLE OR PART, WITHOUT THE PRIOR WRITTEN CONSENT OF AUTOMATED PACKAGING SYSTEMS INC.</small> | |
| INCH [MM] | THIRD ANGLE PROJECTION |

| | | | | |
|---|-------|----------------------------|----------------------|--------------|
| REV | BY | DATE | ECN | DESCRIPTION |
| A | GHM | 7-15-16 | 463 | NEW DRAWING |
| Automated PACKAGING SYSTEMS 10175 PHILIPP PARKWAY - STREETSBORO, OH 44241 | | | | |
| DRAWING SIZE | SCALE | DRAWN BY | BOM REFERENCE NUMBER | |
| D | 1/8 | NAME: GHM DATE: 7-15-16 | ----- | |
| TITLE | | | DRAWING NO. | SHEET 1 OF 1 |
| ASS'Y, AB145 AUTOBAGGER | | | FP225 | REV A |